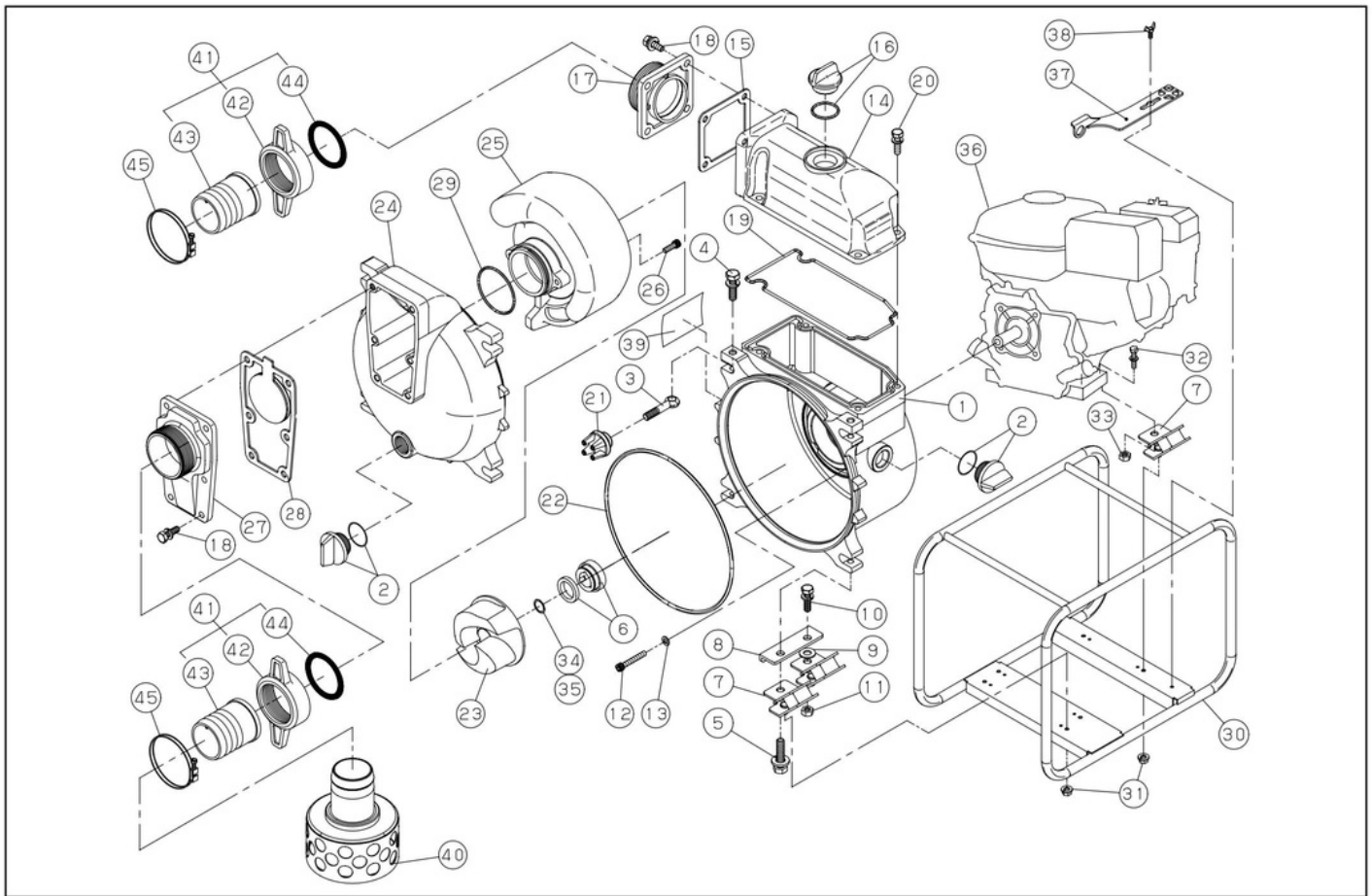


# KTH-100X

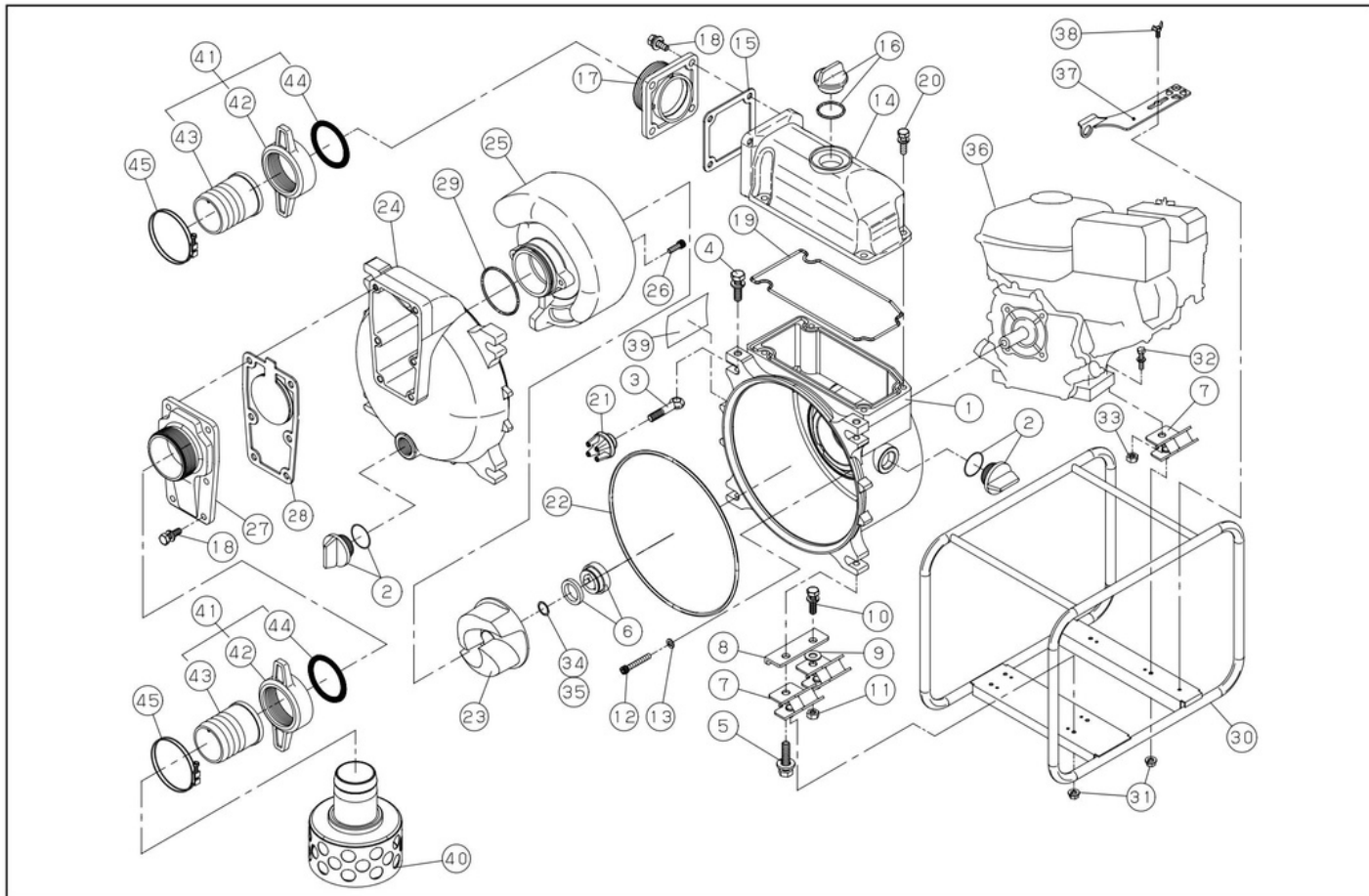


DWG No.012877804 MODEL:KTH-100X FORM:KTH-100X-BAF-0

No.	PARTS CODE	PARTS NAME	QTY	MATERIAL	SIZE	REMARKS
31	842319008	SPRING NUT	6	SWRM	M8	
32	743119067	HEXAGON BOLT	2	SWRM	M10X40	
33	827419010	HEXAGON NUT	2	SWRM	M10	
34	011056102	ADJUSTING WASHER	1	BSP		
35	011640501	ADJUSTING WASHER	2	BSP		
36	011447903	HONDA ENGINE (WITH ALERT)	1	GX340 U1PKX2		
37	011620401	TOOL	1	SPC		
38	741305153	WING BOLT	1	SUS	M8X15	
39	011661402	NAME PLATE	1			
40	011097903	STRAINER	1	SPC		
41	011763901	COUPLING SET	2	AC		
42	011618901	COUPLING	2	AC		
43	011047103	HOSE NIPPLE	2	AC		
44	011147801	COUPLING PACKING	2	NBR		
45	940407120	HOSE BAND	3			
	011661501	PACKING CASE	1			
	011591103	OPERATION MANUAL (E)	1			
	011482009	DECLARATION	1			
	011471302	CAUTION LABEL	1			
	011471806	CE MARK LABEL	1			
	011641301	EU NOISE LABEL	1			

◆ Bare engine can not be supplied

# KTH-100X



DWG No.012877804 MODEL:KTH-100X FORM:KTH-100X-BAF-0

No.	PARTS CODE	PARTS NAME	QTY	MATERIAL	SIZE	REMARKS
31	842319008	SPRING NUT	6	SWRM	M8	
32	743119067	HEXAGON BOLT	2	SWRM	M10X40	
33	827419010	HEXAGON NUT	2	SWRM	M10	
34	011056102	ADJUSTING WASHER	1	BSP		
35	011640501	ADJUSTING WASHER	2	BSP		
36	011447903	HONDA ENGINE (WITH ALERT)	1	GX340 U1PKX2		
37	011620401	TOOL	1	SPC		
38	741305153	WING BOLT	1	SUS	M8X15	
39	011661402	NAME PLATE	1			
40	011097903	STRAINER	1	SPC		
41	011763901	COUPLING SET	2	AC		
42	011618901	COUPLING	2	AC		
43	011047103	HOSE NIPPLE	2	AC		
44	011147801	COUPLING PACKING	2	NBR		
45	940407120	HOSE BAND	3			
	011661501	PACKING CASE	1			
	011591103	OPERATION MANUAL (E)	1			
	011482009	DECLARATION	1			
	011471302	CAUTION LABEL	1			
	011471806	CE MARK LABEL	1			
	011641301	EU NOISE LABEL	1			

◆ Bare engine can not be supplied