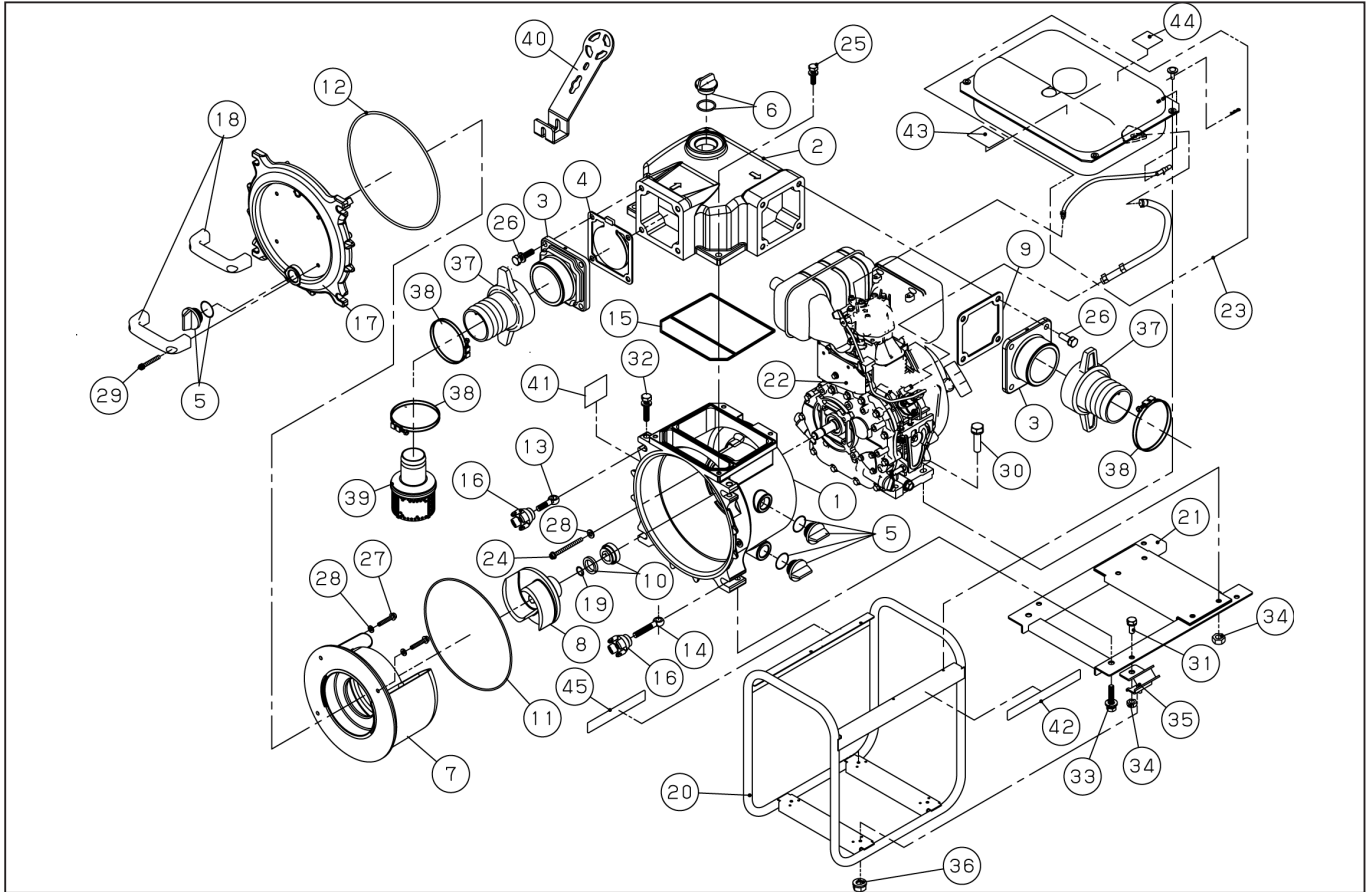


DWG No.012944403 MODELE : KTY-100D FORM : KTY-100D-BAA-0

No.	PARTS CODE	PARTS NAME	QTY	MATERIAL/SIZE	REMARKS
1	0123189	PUMP CASING	1	ADC	
2	0123190	SEPARATE HEAD	1	ADC	
3	0116188	SUCTION FLANGE	2	ADC	
4	0123219	CHECK VALVE	1	NBR+SPHC	
5	0118079	25A PLUG SET	3		
6	0118450	32A PLUG SET	1		
7	0121444	VOLUTE CASING	1	FCD450	
8	0123188	IMPELLER	1	HRFC	
9	0110750	FLANGE PACKING	1	CR	
10	0115678	MECHANICAL SEAL	1		
11	0121917	O-RING	1	NBR G283×3.55	
12	0121916	O-RING	1	NBR G295×5.3	
13	0121843	COVER BOLT S	2	S35C	
14	0121844	COVER BOLT L	2	S35C	
15	0121450	HEAD PACKING	1	NBR	
16	0121449	KNOB	4	FC200	
17	0123353	FRONT COVER	1	ADC	
18	0121453	HANDLE	2	PA6+GF30%	
19	0110561	ADJUSTING WASHER	3	BSP	
20	0127303	BASE SET	1		
21	0127304	DAMPING BASE SET	1		
22	-	L100N6-PKS DESEL ENGINE	1		
23	0127289	LARGE FUEL TANK SET (L48N6-PKS)	1		
24	0116517	FLANGE SOCKET BOLT	4	M8×60 SCM	
25	743119063	BOLT	4	M10×30 SWRM	
26	743119080	BOLT	8	M12×35 SWRM	
27	734705066	BOLT	3	SUS M8×25	
28	0116493	WASHER	7	A1100 PH14	
29	734520070	BOLT	4	M8×35	
30	743119067	BOLT	4	M10×40 SWRM	

◆ Bare engine can not be supplied



DWG No.012944403 MODELE : KTY-100D FORM : KTY-100D-BAA-0

No.	PARTS CODE	PARTS NAME	QTY	MATERIAL/SIZE	REMARKS
31	743119061	BOLT	4	M10×25 SWRM	
32	743119083	BOLT	2	M12×45 SWRM	
33	743119085	BOLT	2	M12×55 SWRM	
34	827419010	NUT	8	M10 SWRM	
35	0116172	CUSHION RUBBER	4	CR 60°	
36	842319008	SPRING NUT	4	SWRM	
37	0117639	COUPLING SET	2	ADC	
38	940407120	HOSE BAND	3	Φ 120	
39	0117895	STRAINER SET	1	SPC	
40	0122984	SPECIAL TOOL	1	SS400 T4.5	
41	0123264	NAME PLATE	1		
42	0123238	SEY-D SIDE PANEL LABEL	1		
43	0123259	DIESEL CAUTION LABEL1 (ENG)	1		
44	0123260	DIESEL CAUTION LABEL2 (ENG)	1		
45	0123261	DIESEL CAUTION LABEL3 (ENG)	1		

◆ Bare engine can not be supplied